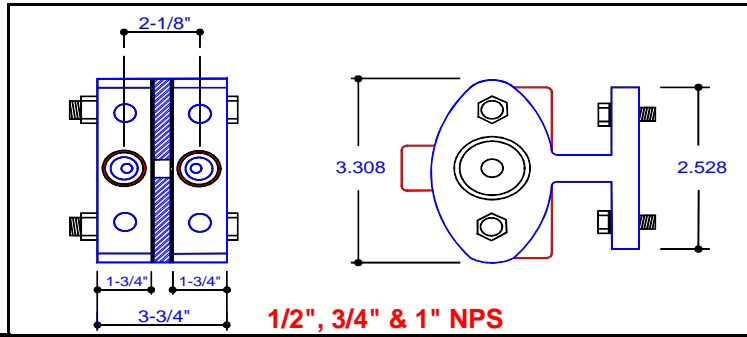


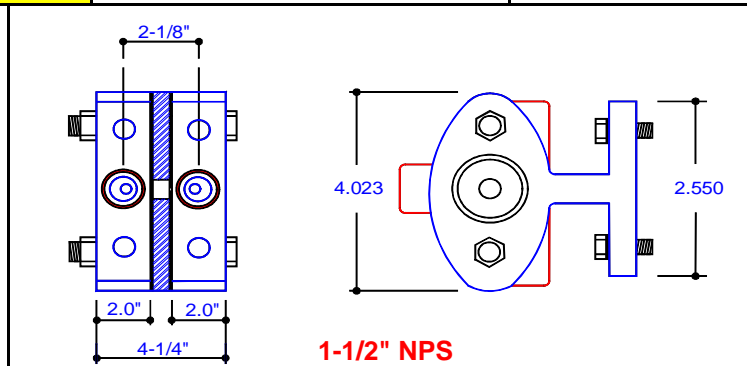
Imperial Flange & Fitting Inc.

INTEGRAL ORIFICE ASSEMBLIES

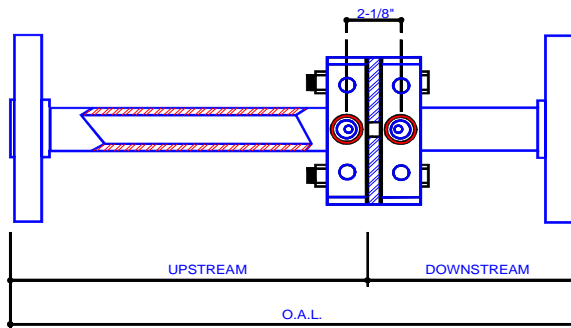
Integral orifice assemblies are ideal for pipe sizes under 2" NPS. Since the assembly is designed to direct mount to any standard transmitter or manifold, there is no need for fittings, tubing, valves or adapters. Over **50%** of the possibilities for leaks and headaches are eliminated. All these advantages add up to a very accurate, simple and affordable metering device.



Pipe Sizes:	1/2", 3/4", 1" & 1-1/2"	Pipe Schedules:	S/5 TO S/XXH
Body Materials:	Carbon Steel & Stainless Steel <i>Other materials quoted upon request</i>		
Plate Materials:	1/8" Thk. A240-316 SS. Standard <i>Other materials quoted upon request</i>		
Pipe Connections:	Threaded or Socket Welds		



Assemblies are available as individual units, or complete metering tubes in standard lengths or customer specified configurations to meet individual needs.



End Connections:	Threaded, Beveled or Flanged <i>Other styles upon request</i>
-------------------------	---

Standard Tube Lengths			
PIPE SIZE	UPSTREAM	DOWNSTREAM	OVERALL LENGTH
1/2"	16.0"	8.0"	24.0"
3/4"	16.0"	8.0"	24.0"
1"	16.0"	8.0"	24.0"
1-1/2"	30.0"	8.0"	38.0"