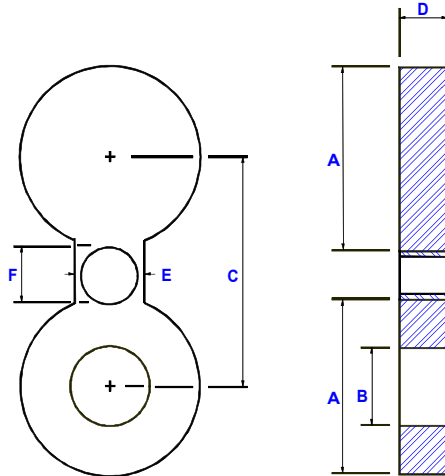


Imperial Flange & Fitting

300# SPECTACLE BLIND



PIPE SIZE	OUTER DIAMETER	BORE	CENTER TO CENTER	THICKNESS	WEB WIDTH	HOLE SIZE	PADDLE BLIND & SPACER HANDLE DIMENSIONS
	A	B	C	D	E	F	
1/2	2.00	.62	2.62	.25	1.50	.625	1 x 4
3/4	2.50	.82	3.25	.25	1.50	.750	1 x 4
1	2.75	1.05	3.50	.25	1.50	.750	1 x 4
1-1/4	3.12	1.66	3.87	.25	1.50	.750	1 x 4
1-1/2	3.62	1.90	4.50	.25	2.00	.875	1 x 4
2	4.25	2.37	5.00	.37	2.00	.750	1 x 4
2-1/2	5.00	2.87	5.87	.37	2.50	.875	1 x 4
3	5.75	3.50	6.62	.37	2.50	.875	1 x 4
3-1/2	6.37	4.00	7.25	.50	2.50	.875	1 x 4
4	7.00	4.50	7.87	.50	2.50	.875	1 x 4
5	8.37	5.56	9.25	.62	3.00	.875	1 x 6
6	9.75	6.62	10.62	.62	3.00	.875	1 x 6
8	12.00	8.62	13.00	.87	3.50	1.000	1 x 6
10	14.12	10.75	15.25	1.00	4.00	1.125	1-1/2x6
12	16.50	12.75	17.75	1.12	4.00	1.250	1-1/2x6
14	19.00	14.00	20.25	1.25	4.75	1.250	1-1/2x6
16	21.12	16.00	22.50	1.50	4.87	1.375	1-1/2x6
18	23.38	18.00	24.75	1.62	4.50	1.375	1-1/2x6
20	25.62	20.00	27.00	1.75	4.75	1.375	1-1/2x6
24	30.37	24.00	32.00	2.000	5.50	1.625	1-1/2x6

MATERIAL: A36, A516-70, STAINLESS STEEL, CHROMOLY, HASTELLOY

OTHER MATERIALS AND STYLES AVAILABLE

Surface Finishes:

Mill (Raw Stock)

Serrated (125Ra Machined Gasket)

Manufactured per ASME B16.48

Paddle Blinds and Spacers Available