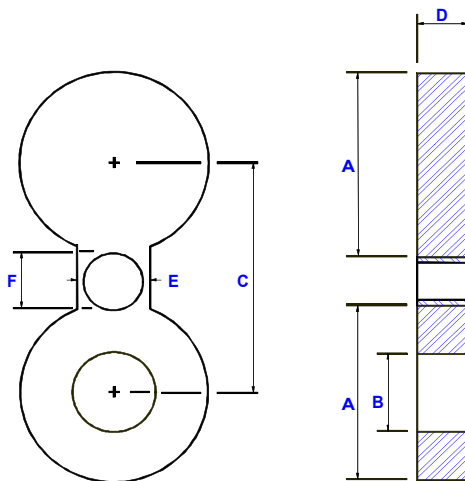


# Imperial Flange & Fitting

## 2500# SPECTACLE BLIND



PIPE SIZE	OUTER DIAMETER	BORE	CENTER TO CENTER	THICKNESS	WEB WIDTH	HOLE SIZE	PADDLE BLIND & SPACER HANDLE DIMENSIONS
	A	B	C	D	E	F	
1/2	2.62	.62	3.50	.37	1.50	.875	1 x 4
3/4	2.87	.82	3.75	.37	1.62	.875	1 x 4
1	3.25	1.05	4.25	.37	2.50	1.000	1 x 4
1-1/4	4.00	1.37	5.12	.50	2.50	1.125	1 x 4
1-1/2	4.50	1.61	5.75	.62	2.75	1.250	1 x 4
2	5.62	2.07	6.75	.62	2.75	1.125	1 x 4
2-1/2	6.50	2.47	7.75	.75	3.00	1.250	1 x 4
3	7.62	3.07	9.00	.87	3.00	1.375	1 x 4
4	9.12	4.03	10.75	1.12	3.50	1.625	1 x 4
5	10.87	5.05	12.75	1.37	3.50	1.875	1 x 6
6	12.37	6.06	14.50	1.62	3.50	2.125	1 x 6
8	15.12	7.81	17.25	2.12	4.00	2.125	1 x 6
10	18.62	9.75	21.25	2.62	4.50	2.625	1-1/2x6
12	21.50	11.37	24.37	3.12	4.50	2.875	1-1/2x6

**MATERIAL:** A36, A516-70, STAINLESS STEEL, CHROMOLY, HASTELLOY  
*OTHER MATERIALS AND STYLES AVAILABLE*

**Surface Finishes:**

**Mill** (Raw Stock)

**Serrated** (125 Ra Machined Gasket)

**Manufactured per ASME B16.48**

**Paddle Blinds and Spacers Available**